

GigEPRO

FPGA搭載 GigEVisionカメラ

MACHINE VISION

TECHNICAL DATA

Camera model	Sensor	Resolution [px]	Frames per second	Format	Shutter
GP1041M	Monochrome	752 x 480 / WVGA	64	1/3"	global
GP1041C	Color	752 x 480 / WVGA	64	1/3"	global
GP4136M	Monochrome	1280 x 1024 / SXGA	61	1/1.8"	global; rolling; global reset
GP4136IR	Monochrome / NIR	1280 x 1024 / SXGA	61	1/1.8"	global; rolling; global reset
GP4136C	Color	1280 x 1024 / SXGA	61	1/1.8"	global; rolling; global reset
GP4206M	Monochrome	1600 x 1200 / UXGA	52	1/1.8"	global; rolling; global reset
GP4206C	Color	1600 x 1200 / UXGA	52	1/1.8"	global; rolling; global reset
GP2239M	Monochrome	1920 x 1200 / WUXGA	50	1/1.2"	global
GP2239C	Color	1920 x 1200 / WUXGA	50	1/1.2"	global
GP2238M	Monochrome	1920 x 1200 / WUXGA	38	1/1.2"	global
GP2238C	Color	1920 x 1200 / WUXGA	38	1/1.2"	global
GP1305C	Color	2048 x 1536 / QXGA	12	1/2"	rolling
GP2507M	Monochrome	2448 x 2048 / QSXGA	22	2/3"	global
GP2507C	Color	2448 x 2048 / QSXGA	22	2/3"	global
GP1503M	Monochrome	2592 x 1944 / QSXGA	14	1/2.5"	rolling with global reset
GP1503C	Color	2592 x 1944 / QSXGA	14	1/2.5"	rolling with global reset
GP11004M	Monochrome	3840 x 2748 / WQUXGA	7	1/2.3"	rolling with global reset
GP11004C	Color	3840 x 2748 / WQUXGA	7	1/2.3"	rolling with global reset

Lens mount	C, CS
Scanning system	Progressiv
トリガ	外部トリガ、ソフトウェアトリガ、タイマーベース、カウンターベース
ストロボ	センサ、トリガ、ソフトウェア、タイマーベース、カウンターベース
Interface	Gigabit Ethernet according to GigE Vision standard / 1 Gbps
Dimensions (WxHxD) [mm]	30 x 30 x 56
Weight [g]	68
Power consumption [W]	2.5 to 4 (hardware specific)
Operating temperature [°C]	0 to +45
Power supply	PoE or 9-24VDC on AUX connector
Cable connector	8 pin (9-24 VDC + digital I/O)
Digital input/output	Opto decoupled (3.3 to 24 V), single input (hardware trigger), dual output (hardware strobe)

GigEPRO

FPGA搭載 GigE Visionカメラ

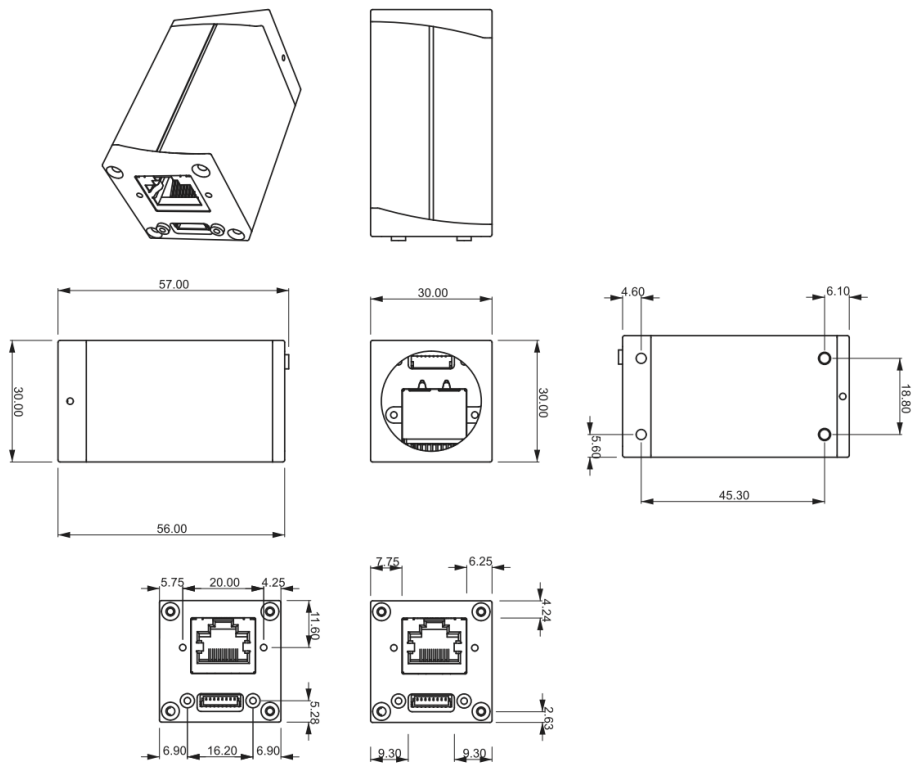
MACHINE VISION

NET社 オンボードFPGA リアルタイム処理 ライブラリ

Function	FPGAのサイズ (LX75とLX100はオプション) ¹⁾		Basic (LX45)		Standard (LX75)		Advanced (LX100)	
	Color	Mono	Color	Mono	Color	Mono	Color	Mono
Color Calibration	✓				✓		✓	
5x5 De-Bayering	✓				✓		✓	
Frame Transfer Request	✓	✓			✓	✓	✓	✓
Geometrical Correction (GC)					✓	✓	✓	✓
Flatfield Correction (FFC)					✓	✓	✓	✓
Defect Pixel Correction (DPC)					✓	✓	✓	✓
Bayer Channel Compensation (BCC)			✓			✓		✓
Canny Edge Detection					✓	✓	✓	✓
2D Down Scaling					✓	✓	✓	✓
High Dynamic Range (HDR) ²⁾					✓	✓	✓	✓

1) DDR3 memory size: LX45 = 1 GB, LX75 = 2 GB, LX100 = 4 GB
 2) for GP2239C/M

LAYOUT



Unit: mm