

IOflex

Intra-oral camera solution

MEDICAL VISION

Technical Data

Camera

<i>Sensor format</i>	1/2.8"
<i>Sensor</i>	IMX222
<i>Type</i>	CMOS
<i>Native resolution [pixel]</i>	1920 x 1080 / Full HD
<i>Frame rate</i>	30 fps
<i>Color depth</i>	12 bit
<i>Shutter</i>	rolling
<i>Board size (length x width)</i>	81mm x 21mm
<i>Power consumption</i>	P = 2.5W, U = 5V
<i>Illumination support</i>	max. 70mA LED current; optional: multi-LED
<i>Optics support</i>	onboard liquid lens driver
<i>Interfaces</i>	USB 2.0, UVC
<i>Max. cable length</i>	3m
<i>Operating temperature</i>	0 - 30°C

Software

<i>Image focussing</i>	NET IP Core
<i>Image file format</i>	MJPEG
<i>Included software</i>	software development kit (SDK)
<i>Operating system</i>	Windows, Mac, Linux

Customizable image settings

<i>Image properties</i>	<ul style="list-style-type: none"> • brightness • contrast • white balance • saturation • hue • color control • AE settings
<i>Image display</i>	<ul style="list-style-type: none"> • horizontal flip • mirror • binning
<i>Image streaming</i>	<ul style="list-style-type: none"> • operation mode (VIS, IR, fluorescence) • still image capture • freeze • sleep

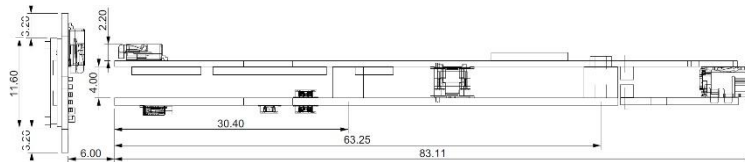
IOflex

Intra-oral camera solution

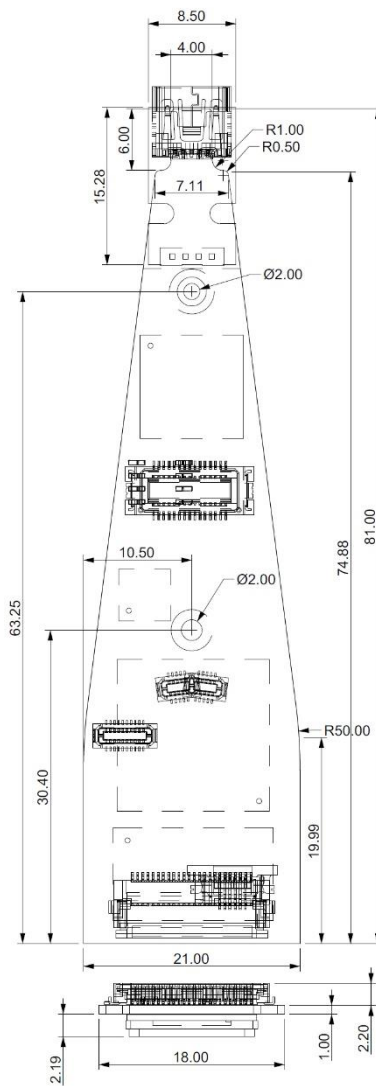
MEDICAL VISION

Layout

Side



Top



Unit: mm